



# Victor Taichung at (Nangang 1F, J-118)



1-Jan-2017

精機一甲子·品質一輩子  
服務三代情·薪火相傳

# Victor Taichung at Timtos 2017

Booth no. J-312

**Subject:**

**Robot application**

**Multi-tasking (incl. 5-axis)**

**High speed machining**



1. Vturn-NP16CM + Vturn-NP-16 + gantry robot



2. [Multi-taking] Vmt-X400



3. Vc-P106 with 20000rpm spindle

# All New Vmt-X400 for Multi-tasking Application

## Travel (mm)

X1/Y1/Z1: 845/420/2100

## Rapid feeds (m/min)

X1/Y1/Z1: 50/50/50 m/min

## Tool spindle:

22 kW / 12000rpm  
HSK-T63 (opt. Capto C6)

## Tools

40 (opt.  
60, 80)

## Main spindle

12" chuck  
(opt. 10", 15")  
A2-8 nose  
30 kW  
3500rpm

## B-axis :

$\pm 120^\circ$

## Tailstock (Std.)

MT-5

## Right Spindle

(opt.)  
12" chuck  
A2-8 nose  
30 kW  
3500rpm

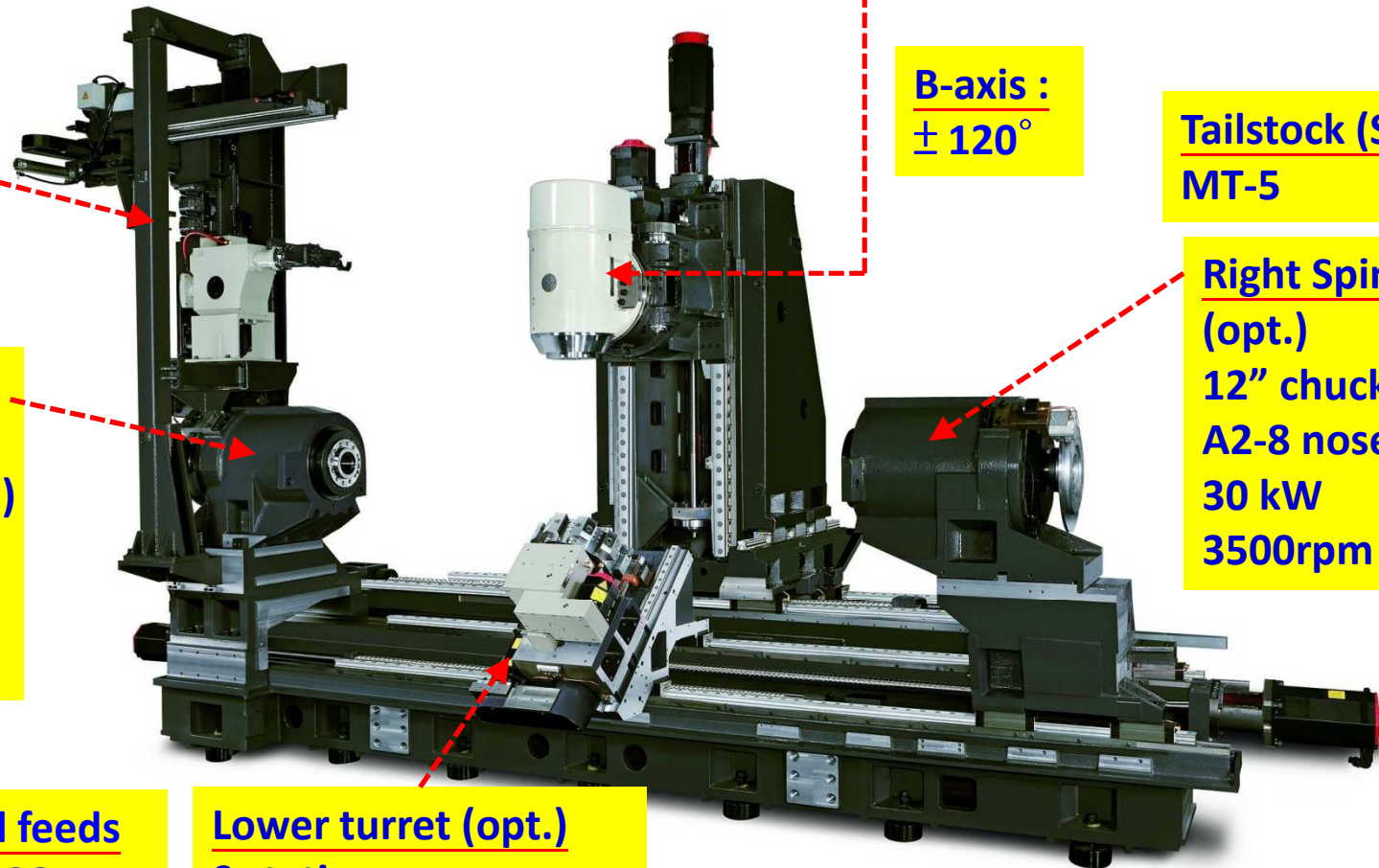
## Travel & Rapid feeds

X2/Z2: 370/1938 mm  
X2/Z2: 20/24 m/min

## Lower turret (opt.)

9 stations  
No live tools (X2/Z2)

## Steady rest (opt.)



服務三代情·薪火相傳

# VT-NP16CM + VT-NP16 with Gantry Robot

(by Easyway)



*Work feeder  
(12 pallets)*

*Measuring  
station*

➤ 2 lathes shares 1 robot\* for 2 operations (OP10 + OP20) or (OP10 + OP10)

*\*New guarding and robot for Timtos*

精機一甲子·品質一輩子  
服務三代情·薪火相傳



# Vcenter-P106 with 20000rpm spindle

48/48/32  
m/min (X/Y/Z)

Electrical  
Counterbalance

20000rpm built-in  
spindle (11/15 KW)

Travels (X/Y/Z)  
1060/600/560 mm

30 tools



Roller guides

Wide column

Screw removers

Fanuc Oi-MF  
(10.4") + MGI  
+ AICC-2

服務三代情·新代相傳

